

# MD IR N360

uDIM - in-ceiling installation white  
 EAN 4007841 080600  
 Article number 080600



infrared sensor 360°



Eagle Eye Technology



Bluetooth



Digital sensor setting



Settings via App



2 - 2000 lux (via App)



IP54



CE

## Function description

His eagle eye sees more. Our nexx.IS PRO series was specially developed for reliable outdoor detection applications and is the ideal solution for building entrances and façades. Thanks to innovative 'Eagle Eye' technology, a specific detection area can be improved by 200 per cent when the sensor is viewed from the front. This means that access areas, for example, can be monitored even more precisely. This is made possible by a small, individually positionable window in the lens. The sensors in the nexx.IS PRO series can be networked via Bluetooth Mesh and offer all Connect functionalities. For example, outdoor lights connected via Bluetooth Mesh can be controlled, timer programmes defined and wireless push-buttons connected. The innovative sensor family covers three different detection areas. A surface-mounted version with a detection range of 130° or 270° is available for wall mounting. A 360° solution is available for the ceiling, either as a surface-mounted or recessed version. All models are available in the colours white and anthracite. The nexx.IS PRO series is available with COM1 and uDIM interfaces (leading and trailing edge phase dimming). With uDIM, soft light start and ambient light can now also be used with conventional luminaires. Prerequisite: the light source must be dimmable.

## Technical specifications

Dimensions (Ø x H)	83 x 74 mm
With motion detector	Yes
Manufacturer's Warranty	5 years
Settings via	Bluetooth, App
With remote control	No
Version	uDIM - in-ceiling installation white
PU1, EAN	4007841080600
Type	Motion detectors
Application, place	Outdoors
Colour	white
Colour, RAL	9010
Includes corner wall mount	No
Installation site	ceiling

Optimum mounting height	2,5 m
Detection angle	360 °
Sneak-by guard	Yes
Capability of masking out individual segments	Yes
Electronic scalability	Yes
Mechanical scalability	No
Reach, radial	Ø 7 m (38 m <sup>2</sup> )
Reach, tangential	Ø 26 m (531 m <sup>2</sup> )
Switching zones	1179 switching zones
Cover material	Cover clips
Twilight setting	2 – 2000 lx
Time setting	5 s – 60 Min.
Basic light level function	Yes

# MD IR N360

uDIM - in-ceiling installation white  
EAN 4007841 080600  
Article number 080600



## Technical specifications

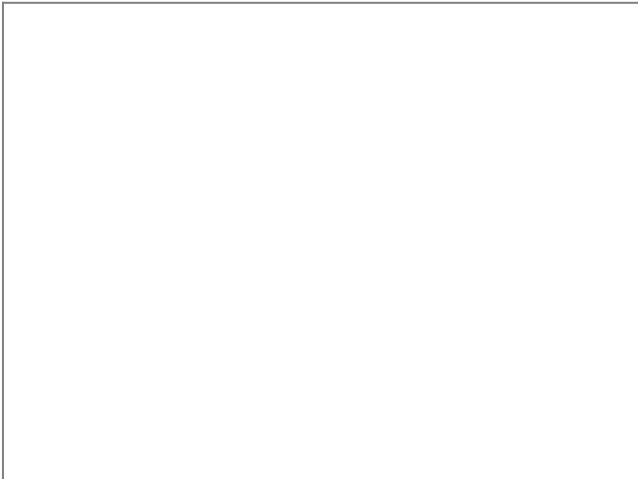
Installation	Ceiling, In-ceiling installation
IP-rating	IP54
Ambient temperature	from -20 up to 40 °C
Material	Plastic
Mains power supply	50 – 60 Hz
Technology, sensors	passive infrared, Light sensor
Mounting height	1,8 – 6,00 m
Mounting height max.	6,00 m

Basic light level function time	1-60 min
Twilight setting TEACH	Yes
Constant-lighting control	No
Interconnection	Yes
Interconnection via	Bluetooth Mesh
Reichweite Radial Eagle Eye max.	6 m
Product category	Motion detector

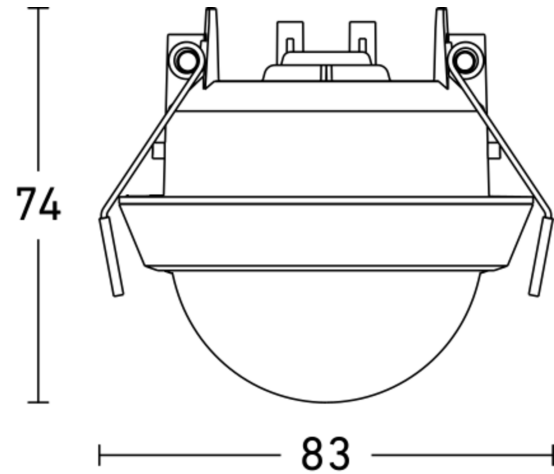
# MD IR N360

uDIM - in-ceiling installation white  
EAN 4007841 080600  
Article number 080600

## Detection Zone



## Dimension Drawing



## Circuit diagram for phase and section dimming

